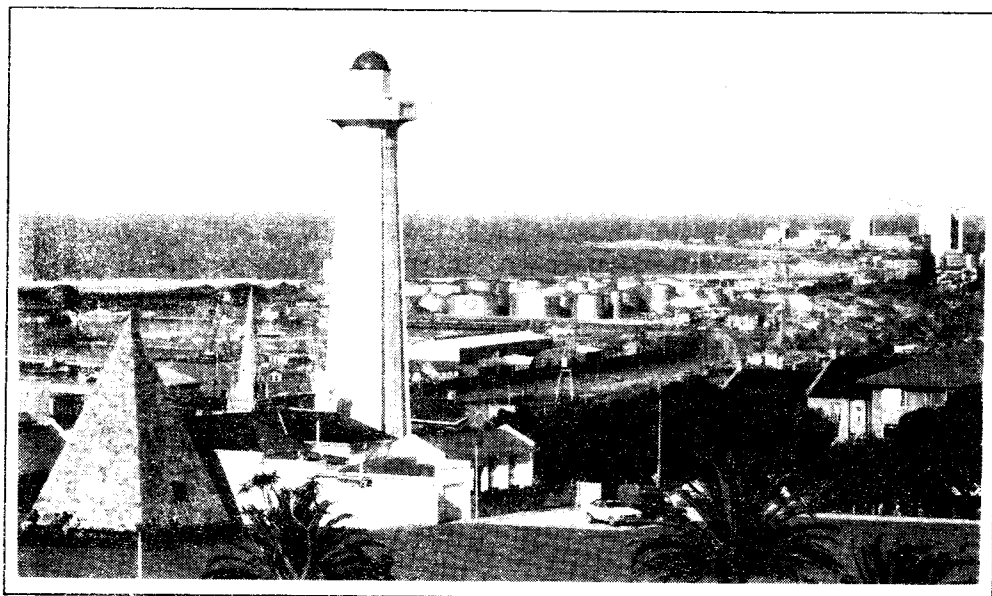




Q S X

P E



THIS NEWSLETTER IS PUBLISHED BY THE  
PORT ELIZABETH BRANCH OF THE  
SOUTH AFRICAN RADIO LEAGUE

P.O. BOX 10402  
LINTON GRANGE  
6015

**June 1996**

# IMPORTANT NOTICE

The final general monthly meeting of the Port Elizabeth Branch of the SA Radio League will be held on Friday, 21 June, 1996, commencing at 20:00 (8pm). The venue, as usual, will be the Civil Defence Centre in Westview Drive, Mill Park, Port Elizabeth.

In terms of the decision at the last SARL AGM, which was ratified by a majority vote in the recent ballot, branches of the SARL will cease to exist after 30 June and must be reconstituted as independent clubs. At our June meeting, therefore, we must adopt, with amendment if necessary, a constitution that has been drafted for our proposed Club, which must come into being on or before 1 July 1996. A committee to drive the new Club must also be elected and other matters considered. This means that the June meeting will be doubly historic – the last one of the Branch, and the preliminary, empowering meeting for the new Club.

Current Branch members (SARL as well as Social) will automatically become **founder members** of the new Club if they pay the applicable subscription within the time allowed. It is being proposed that the fiscal year should end on 31 March annually, and a special subscription of only R20 for the initial period to 31 March 1997 will be suggested at the June meeting.

**Because of the great significance of this meeting, please make a special effort to attend.**



## Instant Printing

FOR ALL YOUR  
PRINTING REQUIREMENTS

9 St. Patricks Road, Port Elizabeth 6001

Telephone: (041) 55-2614

Try us for your QSL cards!



## *A Word from ZS2RS*

**T**he end of June 1996 heralds the end of yet another era in the history of the SARL. Branches as we know them cease to exist and clubs, possibly affiliated to the SARL, will be born. Only clubs with more than 70% of their members belonging to the League will be permitted affiliation to the mother body. It is therefore quite obvious that as many amateurs as possible should retain their SARL membership.

There will be many who feel that membership of only their local club is sufficient. However, the League as such requires the membership to be truly representative of the amateur fraternity as a whole. Let us not adopt the head-in-the-sand attitude and leave it to others to make things happen. This is the watershed year for the SARL and your membership is crucial. Yes, we want your support for the club, but it is equally important, if not more so, that you are a fully fledged member of Headquarters. Let's stand together and make it happen.

**T**he latest edition of Radio ZS is a feather in the cap of the locals. Thanks to Garth ZS2HB, who co-ordinated the copy and to each and every contributor, this edition is something to be proud of. Well done, Eastern Cape. Of course we knew you could do it!

Please make every effort to attend the next, and last, general meeting of the Branch. It is essential that a new constitution be adopted and, of course, new office bearers be elected. Your support, as always, is appreciated.

73,

*Dick* ZS2RS

# HAMNET NEWS

## Rally

As will be seen elsewhere in this issue of QSX, the rally takes place next month. The rally provides an excellent emergency exercise for Hamnet members and non-members alike. In fact, it may well be the real thing at times.

Not only is it fun to participate, but it allows us to make very good use of our expertise and equipment and also the opportunity to find any weaknesses in these. Hamnet members especially should take advantage of this opportunity to test their portable operation capabilities.

Unlike normal exercises, we are providing a useful service at the same time.

## Restructured League

With the restructuring of the League comes the restructuring of Hamnet also. To date I have nothing definite to report. I think it is safe to say that Hamnet will remain a League organisation. It would appear too that a certain percentage of non League members will be allowed to belong to Hamnet.

Hamnet will be discussed at the next Council meeting so we should soon know which way we are going.

73

Al Akers.

Provincial Director,  
Hamnet East Cape

---

## VOLKSWAGEN RALLY

The 1996 rally takes place on the afternoon and evening of Friday, 19th July and morning and afternoon of Saturday, 20th July. It will be run in the areas of Port Elizabeth, Uitenhage, Longmore forest and Otterford forest. I have been allotted the task of organising the rally communications and I am pleased to have two very able members to assist me, namely Peter ZS2PF and Chris ZS2AAW. I will also be liaising with Beavan ZS2RI, who organised the comms. for the previous two rallies.

A number of members have already volunteered to assist, but we will need more, so please offer your assistance and let me have your questionnaires back as soon as possible. It takes a lot of organising to place operators at the various points and the sooner I receive the questionnaires, the easier the task of the organisers.

We have built up a reputation for excellent comms. Let us maintain our reputation.

73,

Al. ZS2U

# MINUTES OF THE GENERAL MEETING OF THE PORT ELIZABETH BRANCH OF THE SOUTH AFRICAN RADIO LEAGUE HELD AT THE CIVIL DEFENCE CENTRE, MILL PARK, PORT ELIZABETH ON FRIDAY, 17 MAY 1996

**Present & Apologies:** As per attendance register ( $\pm$  39 members)

**Welcome:** Chairman Dick Schönborn ZS2RS, back from holiday in the UK, welcomed the members and expressed his gratification at the large attendance. He also extended a special welcome to the guest speaker, Mr. Louis Vermaak, Chief Weather Forecaster in Port Elizabeth.

**Guest Speaker:** Normal business was interrupted while Mr. Vermaak gave an interesting talk on the subject of weather forecasting, answering numerous questions from the floor.

**Minutes of the Previous Meeting:** The minutes of the meeting held on 19 April 1996, as circulated in the May issue of QSX-PE, were taken as read. Their adoption was proposed by Viv ZS2VM, seconded by Fred ZS2JS.

**Matters Arising:** None.

**Finance:** Treasurer Clive ZS2RT was not available but the meeting was confident that there was no need for concern.

**Correspondence:** Nil.

**New Business:** None.

## **General:**

- **VW Rally** – Dates were given as July 19 and 20. A working group was agreed to, with Al ZS2U as convenor plus Peter ZS2PF and Chris ZS2AAW. Al appealed for members to volunteer early for comms duty.
- Members were reminded of the **garage sale** at the QTH of ZS2AE the next day.
- Gerhard ZS2UM advised that he would no longer be involved with the **RAE lectures**. The Chairman expressed his regret at this announcement and a vote of thanks for all the effort put into the courses was unanimously carried by the meeting.
- The conversion of the **Branch into a Club** was discussed briefly, including the need to decide on a suitable name. A working group, viz. ZS2RS, ZS2HB, ZS2VM, ZS2U and ZS2AZ, was formed to draw up a draft constitution for consideration at the June meeting.
- It was reported that **Reno Faber ZS6OF** was very ill. The meeting expressed the hope that he would make a quick and full recovery. Garth ZS2HB proposed that a get-well card be sent to Reno from the Branch.

The meeting closed at 22:15 with thanks to ZS2ABZ for organising the refreshments. Q

## When is a Conductor an Insulator?

*Al ZS2U asked the question in QSX last month, and now he's back to give us the answer. Al writes:*

Let us look at a quarter wave transmission line with an impedance of  $Z_0$  and with a resistive impedance  $Z_1$  connected to the output end. If  $Z_1$  is made equal to  $Z_0$ , then the impedance at the input end will be equal to  $Z_1$ .

However, as  $Z_1$  is made lower in impedance, so will the impedance at the input end increase till  $Z_1$  becomes zero, when the input impedance becomes infinite. Among the uses this is put to is a commercial installation I read about some time ago, where the antenna system was fed with a long open wire transmission line. Posts were placed along the transmission line path and quarter wave lines were suspended from these. The top ends were shorted and the bottom ends connected to the transmission line to support it. Being shorted at the

top, the bottom exhibited a very high impedance, thus these conductors were insulators.

This system of support has an advantage. Half wave lines will exhibit, at the input end, the same impedance as that at the output end. At the second harmonic of the transmitter of the above installation, the quarter wave supports will be a half wave long and will exhibit a short circuit at the support end.

Thus, any second harmonic power travelling along this line will encounter a series of short circuits and harmonic radiation will be minimised. The same will happen for other even harmonics.

*Bet you numbskulls didn't think of that, did you? I did not—Ed.*

---

## Morse Classes

The morse classes on 2 metres by Vic ZS2SZ seem to be well on the way to proving that the Koch method really works. Unfortunately, of the initial 18 participants who reported in regularly, only around nine now seem to be regular listeners, and these are reporting a creditable average accuracy of about 90%.

If you are benefitting from the classes, how about letting Vic know? If for any reason you are unable to report in on the air, please give Vic a buzz on the telephone at 30-2440.

## FOR SALE ★ WANTED ★ SWOP

### FOR SALE

- ★ **Curtis Keyer chip** 8044M with PC board and diagrams/construction details to build your own keyer - R75. **Barlow Wadley** receiver with FM module and service manual - R300. **Viv Moore ZS2VM** ☎ 30-4433
- ★ **KDK FM-2016E 20W Mobile 2m rig** with 8A power supply. **Mike Bentley ZS2IC** ☎ (041) 30-1498 (H), 30-4381 (B)

## Fiddlers' Corner

# VARIABLE TEST LOAD for PSUs

One of the main objectives of Amateur Radio is self-education, and the best way to learn is to *do it yourself*. Repairing and constructing your own gear keeps costs down, and gives you a sense of satisfaction when the results of your labours test OK.

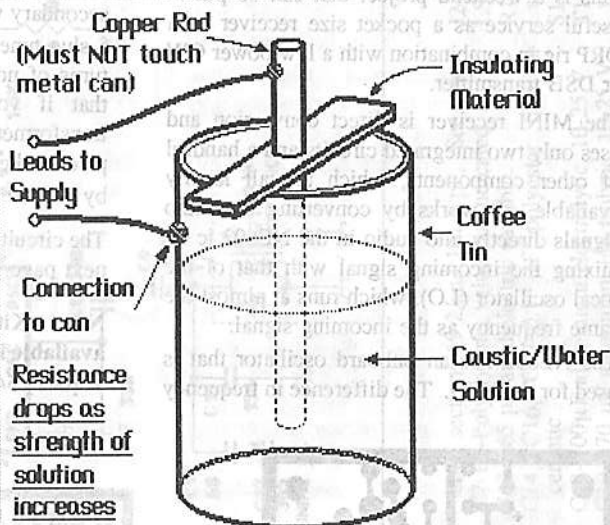
Having built or repaired a power supply, you will want to put it on load to check out your work, and this month Fiddlers' Corner shows how to construct a cheap yet effective *variable* test load. Our thanks for this item go to Neels ZR2ABT and UDSB, the fine newsletter that the UD bunch used to put out.

The accompanying diagram shows how to construct your load bath, using an old coffee tin, a copper rod suspended through an insulating support (e.g. a piece of wood) and a solution of caustic soda and water.

Fill the coffee tin with water to about  $\frac{2}{3}$  full and suspend the rod in the water as shown, taking care that the rod does not at any time touch the metal can once power is delivered to it from your transmitter.

Dissolve some caustic soda in water in a *separate* container and add the solution *slowly* to the water in the coffee tin.

The caustic soda acts as a variable resistor and enables you to check your power supply under loads in increments of, say, one ampere.



**LOAD TESTER FOR POWER SUPPLIES**

## BAYCOM Modems

Vic Olivier, ZS2SZ has acquired by his usual devious means another two chips for the Baycom modem as well as one PC board. If you wish to get onto packet radio the easy way, contact Vic without delay at  $\approx$  30-2440.

# MINI RECEIVER for 40 M

DESIGNED BY WA3RNC AS THE "NEOPHYTE"

It does not matter if you are a first-time constructor or a seasoned homebrewer, I'm sure you'll agree that this little direct conversion receiver is well worth a second look.

Although the design is nothing new, and the principle of low component count and affordability (which is normally associated with poor performance) was applied, a surprisingly sensitive and stable receiver can be built without much effort.

This is a weekend project that can be put to useful service as a pocket size receiver or a QRP rig in combination with a low power CW or DSB transmitter.

The MINI receiver is direct conversion and uses only two integrated circuits and a handful of other components, which are all locally available. It works by converting the radio signals directly into audio in the NE602 ic by mixing the incoming signal with that of the local oscillator (LO), which runs at almost the same frequency as the incoming signal.

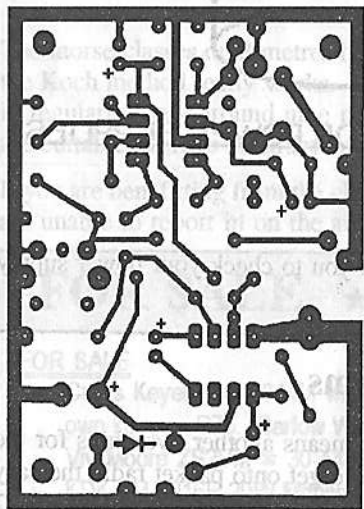
The NE602 has an onboard oscillator that is used for the VFO. The difference in frequency

between the VFO and the incoming signal is within the audio range, and this is then fed via a capacitive coupling to the input of the audio amplifier (LM386n), which delivers ample power to drive headphones or a small speaker of about 8  $\Omega$ .

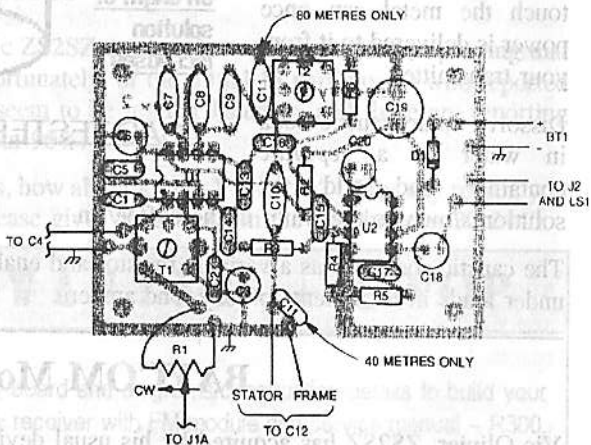
I experienced some difficulty in obtaining the prescribed transformers 1 and 2, but found that T1 can be substituted by a T50-2 toroidal transformer with 4 turns of no. 28 enamelled wire for the primary and 30 turns for the secondary winding. T2 can be made by using a slug-tuned former (4-6mm) with around 30 turns of no. 28 enamelled wire. Please note that if you replace T1 with the toroidal transformer, C1 must be replaced by a 56 picofarad capacitor, and C4a and C4b replaced by a 5-60 picofarad trimmer capacitor.

The circuit diagram and parts list appear on the next page.

**Note! Kits for this project could be made available if required.** Contact Des ZR2DH at ☎ [041] 54-2911.

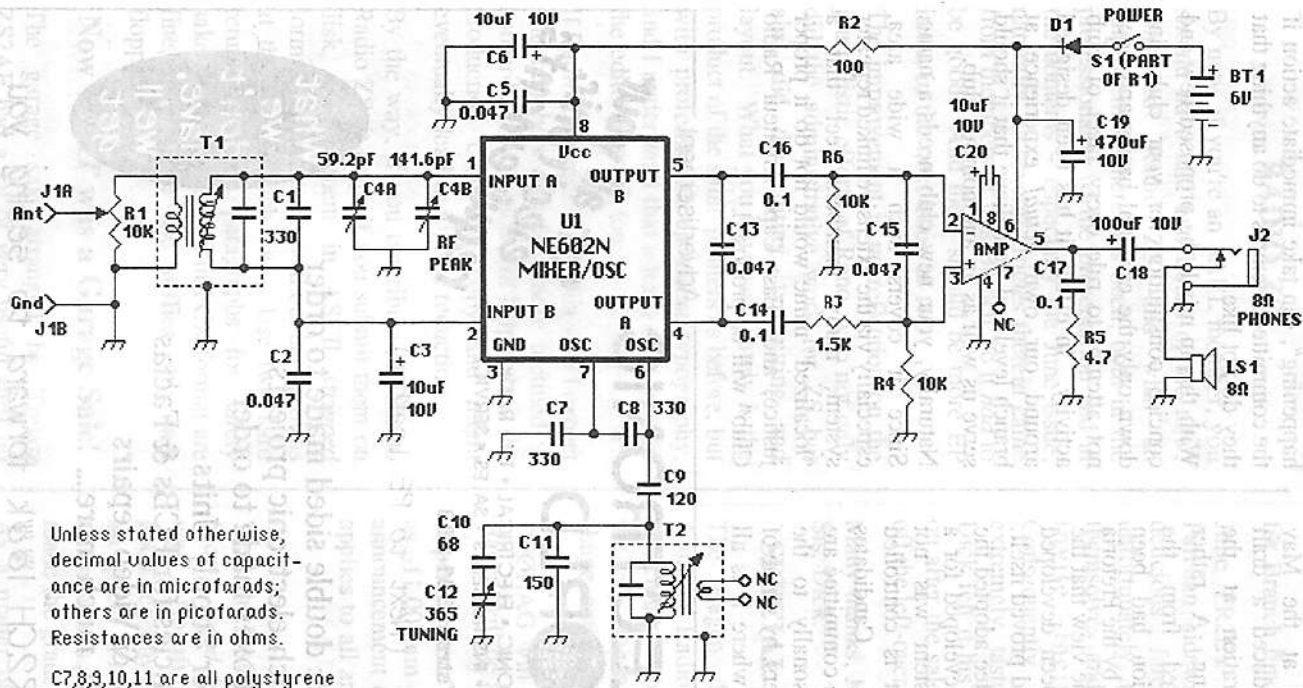


Solder side - Actual size



Circuit board layout





BT1-6V battery (four "C" cells connected in series)

C1-Ceramic. See text.

C2, C5, C13, C15-0.047 $\mu$ F polyester film or ceramic. (0.01 $\mu$ F also suitable for C2 and C5)

C3, C6, C20-10 $\mu$ F aluminium electrolytic, 10 to 25V

C4-Two-section polyethylene-dielectric vari-

able; sections 59.2 and 141.6 pF. See text.

C7-11-Polystyrene; values as indicated

C12-365 pF air-dielectric variable.

C14, C16, C17-0.1  $\mu$ F polyester film or ceramic

C18-100 $\mu$ F aluminium electrolytic, 10-25 V

C19-470  $\mu$ F aluminium electrolytic, 10-25 V

D1-1A 50 PIV silicon diode (1N4001 suitable)

J1-Two-position terminal strip

J2-Closed-circuit phone jack, 1/8 inch

LS1-8 $\Omega$  speaker, 2/4 inch

R1-1 k $\Omega$  audio-taper potentiometer with SPST switch

S1-SPST switch mounted on R1

T1, T2-10.7 MHz IF transformer, 7:1 turns ratio, green core. See text

U1-NE602N mixer/oscillator IC

U2-LM366N-1 audio-amplifier IC

## Your New Radio Club

A subcommittee formed at the May Branch meeting has produced a draft constitution for consideration at the forthcoming general meeting. A rather lengthy document adapted from the existing SARL Constitution had been circulated via Packet Radio by the Pretoria Branch, which expressed the view that the SARL Constitution had been developed over some 70 years and had proved itself.

However, your subcommittee adopted the view that a constitution developed for a two-tier management system was not necessary for a club that is controlled directly by its members. Candidates standing for election to the committee are usually well known personally to the members, while the members, by virtue of their close proximity to "where it is all

happening", can take immediate action if the committee attempts to do anything that they do not like.

With this in mind, the proposed new and concise constitution for your club pins down only the essential basics and does not attempt to rule every facet of club activity. In effect, it has been designed around our own *actual* experience at branch level and we believe that it should serve us well as an autonomous club.

Naturally, your new club needs a name. Since it covers such a wide area, especially via the extensive linked repeater system, many members feel that a "localized" name would not do it proper justice, and "East Cape Amateur Radio Club" will be proposed.

Advertisement



# ELECTRONIC WORLD

ELECTRONIC • ELECTRICAL • TV • RADIO  
VIDEO • INSTRUMENTS • SALES • SERVICE

381-383 Main Street/straat 381-383

☒ 23140

(Next to PE Leather)

- Components
- PCB's single & double sided made to order
- Kits for Branch electronic projects
- Aluminium boxes made to order
- Bench Power Supply Units
- Transparencies for PCBs & Facias
- Radio, TV & Video repairs
- and much, much more....

for all your  
electronic  
requirements

What  
we  
don't  
have,  
we'll  
get

ZR2DH & ZR2CH look forward to seeing you  
*Bring along this copy of QSX for your discount!!*

# Hither & Thither

## RADIO ZS

By now, if you're an SARL member, you should have had two issues of the new! improved! Radio ZS, and what an improvement there has been, both in the professionalism of the presentation and in the contents - especially the June issue, naturally, as several articles therein came from members of this Branch, so it *had* to be good! And there should be more EP items in the next issue or two.

The improvement is no reflection on the journalistic efforts of Reno, who not only did the administrative work for ZS but also did the editing, typesetting and layout. What you have seen lately is the product of the same printers as before, but with professional, specialist typography, and I understand that a team now handles the editorial work too.

If Radio ZS continues in this vein I expect that members will feel more inclined to subscribe to it, which will help reduce the production costs per copy and might eventually lead to a price reduction.

By the way, if you contribute articles to Radio ZS, it helps if you submit them on disk, saving them in ASCII *stripped* format if you can, i.e. without hard returns at the end of each line. Use two hard returns between paragraphs for safety sake. Drawings saved in PCX format are fine, and please use stiffies only, not floppies.

## Now *THAT* was a Garage Sale!

The garage sale arranged by Trevor ZS2AE had a lot of very useful stuff on offer, and an amount of R1650 was raised

for Branch funds.

Julie ZR2EY ran a stoep cafe in the Parisian sidewalk style, with the most delicious fare on the menu but, unfortunately, the OMs thought only of themselves and most of them forgot to invite their XYL/YLs along. Consequently there were a lot of extremely tasty victuals left over so Dick felt it his duty as Chairman to stay on after the sale and do his best to polish off the left-overs without inviting our help.

Many thanks, Julie and Trevor.

Sis, Dick.

## SPECIAL EVENT STATION

The Hagen division of the German Amateur Radio Club turns 50 this year, coinciding with the 250th anniversary of the city Hagen. To celebrate, it plans "huge activity" from 22 to 29 June on various bands. A special callsign DFØHAG will be used and an Award of Hagen will be available.

"Opening time" for the activity is quoted as 11.00 am to 17.00 pm, but the announcement does not say whether this applies to all amateur operations.

## RAE

Well, the RAE came and went and I *didn't* hear a word from anyone about how it was! Hopefully there will be a lot of good news by the time you read this, and an appeal is made to all candidates to let us know as soon as you hear whether you made the grade or not.

As a matter of courtesy, please contact your course leader Gerhard Baum

(30-5224) or course administrator Bert van der Poel (55-2690) with the news.

Regretfully, Gerhard has decided to retire from course activities and it is not known at this stage who will step into the breach. Perhaps the time has arrived for us to try the method practised elsewhere - candidates are merely shown the way, provided with the necessary books, told who to contact if they need clarification, and then left to get on with it.

## WEFAX INTERRUPTION

If you have been wondering about the absence of the wefax transmission from the museum you will be glad to learn that it should be back on the air again soon.

The downconverter went faulty and the Museum has authorized Colin ZS2AO to purchase a new outfit to replace the old one, which Colin himself constructed and which has run for some ten years. The transmission will be restored once the equipment has been received and is installed.

Colin would like to boost the signal to the Western suburbs and is looking for a small beam, say a three-element job. If you have one to donate, please contact Colin ASAP.

## REPEATER SYSTEM

Chris ZS2AAW and Trevor ZS2AE have put in a good deal of effort to trace and cure the strange noises that we have been getting on the link and I have not heard anything out of the ordinary for some time, so thanks, guys!

**Please note: If you wish to disconnect any part of the link (e.g. to have a quiet QSO on one of the repeaters) please announce your intention to disconnect**

**before you actually do so.** It does not help to announce that you *have* disconnected a section *after you have already disabled the link!* Advising all and sundry in this manner reminds them that that part of the link is temporarily not available, so they do not waste time calling their compatriots.

**When you end your quiet QSO, please reconnect the link and then announce that you have done so.**

## Funny things that happen...

- Radio ZS, page 4, under the heading *ZR licences come of age*, says the ZR licence was first introduced in 1975 and that one of the first persons to hold a ZR licence wrote the RAE in November 1974. Our own Vic Olivier ZS2SZ tells me that *he* still has his copy of his ZR licence which bears the number 56 - and is dated 9 January 1974. Hoe nou?

- Keith ZS6TW nearly had his beam removed by a low-flying aircraft. He was at work at the time but neighbours told him that an aircraft that took off from nearby Wonderboom airport developed engine trouble and, smoking and coughing, banked to head back to the runway. The pilot saw the beam coming into view and "swerved" to avoid it. The plane performed a crash-landing in open veld a few hundred metres away.

## PACKET SCENE

Chris ZS2AAW has now fitted additional crystals to the HF rig on the Lady's Slipper repeater site, which will enable SARL bulletins to be relayed automatically onto our linked repeater system.

The 7082 and 7066 kHz frequencies will

provide *receive-only* facilities, so stations on 2 metres will not be able to talk back on those HF frequencies.

Slim, hierdie kêrel!

## SARL GETS VOICELINK

HQ announced recently that they can now be reached via Telcom's new Voicelink facility on 088 120 5042. This works, so far as the caller is concerned, rather like an automatic telephone answering device but you pay only as for a local call. This makes it far cheaper than calling them "live" or even leaving messages on their normal after-hours answering facility.

## US VISITORS TO PE

A number of locals converged on the QTH of Ken and Judy Tremeer ZS2BWB recently to meet Bob Furzer N6BFM and his XYL Lynne, from Acworth, Georgia. The sight of Ken's antenna system back in Rhodesia many years ago prompted Bob to pop in and ask questions, and this led to his becoming a ham himself. Since then he has lived in so many different countries, held an amazing array of callsigns including several on DXpeditions, that there just isn't space in these columns to detail them all. I suspect that the DXCC list was compiled from Bob's list of callsigns! Bob's antenna system is also something to write home about - not only the height of the towers but also the *quantity*. Perhaps Ken will give us an article on this for a future issue of QSX.

## THE SARL BALLOT

As reported by HQ, 660 members replied to the ballot, of whom 591 favoured a new SARL constitution without branches. Whether they all understood what they were voting for is open to conjecture.

Perhaps they thought that the new constitution was a prerequisite to the inferred cheaper subscription. Hands up all those who believed that the "full membership subscription - R95" as quoted on the ballot form means that you would get full membership plus Radio ZS and QSL Bureau facilities for 95 bucks.

The Editor of the PMB Branch's Hams Haywire News, who is also Honorary Legal Adviser to the SARL, wrote: "With no kickback from the League (it was R28) most Clubs will levy an annual subscription of round about this figure... But what about the League? Sure, loyal members will pay their R95 (or R170 if they want Radio ZS and QSL Bureau). Others will wonder where the carrot is... Personally I think the League will lose out and the number of League members will dwindle even more than before."

It will be a sorry day if League membership does indeed dwindle and it is to be hoped that Council will go all out to do whatever is necessary to actually reduce the cost of membership. Cutting one's coat according to the cloth is of paramount importance for the future wellbeing of the SARL. Councillor Colin ZS6COL stated during his investigation that subscriptions could well come down if the membership increases by a sufficient margin. Let's hope it happens.

## TREASURE HUNT

The treasure hunt organized by Owen ZS2AZ on 9 June was most enjoyable in spite of the fact that only a handful of members participated. There was no winner - although all participants found the various clues, no-one produced all the answers or items that the clues called for. However, the lekker refreshments completed a very pleasant afternoon's excursion.  $\Omega$

**Sympathy**— The Branch extends its condolences to Shirley and Gus Winter ZS2MC on the loss of Shirley's mother, and to Jean and Phil Kauffmann-Sorensen ZS2NP, who lost their son-in-law recently.

## *Congratulations*

### on your birthdays:

#### *June*

26 John & Mandy Masters ZS2AAN

#### *July*

- 3 Julie Scarr ZR2EY  
5 Piet de Jongh ZS2NQ  
7 Jim van Loggerenberg ZS2LR  
Mohammed Sayed Ahmed Ravat  
9 Lambert le Doux ZS2LL  
11 Isaac Greeff ZS2IJG  
Hettie Taylor XYL of Gerald  
ZS2AAX  
12 Keith Fensham ZR2KF  
14 Alex Gogos ZR2T  
16 Sel Staples ZS6SS  
Karen Weiss XYL of Glenn  
17 Elsa Schilder XYL of Ben ZR2ABE  
19 Arthur Baynes ZR2ARB  
Bill Browne ZS2BY  
20 Vic Olivier ZS2SZ  
John Cuthbert ZR2ABX

### on your anniversaries:

#### *June*

26 John & Mandy Masters ZS2AAN

#### *July*

- 4 Marge & Brian Weller ZS2OB &  
ZS2AB  
12 Julia & William Atteridge ZS2V

on your new callsign Ewan Mathieson ZR2AAR now ZS2EN but why so quiet since your return from Europe,

Ewan?

Meanwhile Karel Stone ex ZR2KA now sports ZR6KKK but feels it's not on in this day and age so may change it... while Gideon ex ZS2ZS is now ZS4E. Both send regards to all.

*Travellers* Ewan (ex ZR2AAR) & Allie Mathieson back home from the UK, so is Chairman Dick ZS2RS but he talks of doing another trip. Trevor ZS2AE & Julie Scarr ZR2EY are winging their way to the UK and France soon, Wolf ZS2WG & Kathy will be visiting Germany, while Owen ZS2AZ is going to the USA for a spell. John Magee ZS2RG is back from a visit to the Vaal Triangle.

Ah, what it is to have money to burn!

*Recuperating:* Ken Tremeer ZS2BWB after a double bypass early last month, Royden ZR2ABF is back home for good after lengthy treatment in Joh'burg; Ex SARL President Reno Faber ZS6OF has been ill again, while Councillor Laurie Devereux ZS5DL has had a gall bladder op. We wish you all complete recoveries and good health ahead.

*Golden Girl Guide:* Pam Hopper ZU1PAM (XYL of Phil ZS2PP) has just celebrated 50 years of Guiding. Congrats, Pam. But with all that experience, why is Phil such a misguided lad?

## Port Elizabeth Branch Committee

Chairman; Special Events	Dick Schönborn ZS2RS	38-5070
Vice Chairman	Al Akers ZS2U	30-2983
Secretary	Bert van der Poel ZR2USA	55-2690
Treasurer; Assets Control	Clive Fife ZS2RT	32-3203
assisting with Assets Control	Lynne Crothall ZS2MM	35-4671
Social, Library, Awards	Owen Thomas ZS2AZ	38-4134
assisting with refreshments at meetings	Bill Hodges ZS2ABZ	51-2580
Repeaters, Packet	Chris Scarr ZS2AAW	38-1344
QSX Manager	Trevor Scarr ZS2AE	32-1746
assisting as QSX Editor/layout	Garth Laaks ZS2HB	38-1101
Technical Classes	Gerhard Baum ZS2UM	30-5224

## Branch VHF & Other Services

### REPEATERS

Town VHF	145,050/650	Grahamstown	*145,150/750
Town UHF	431,050/438,650	Kareedouw	145,125/725
Cockscomb	145,000/600	Lady's Slipper	*145,100/700
Cradock	145,050/650	Uitenhage	145,075/675

\* East London's repeater on 145,125/725 MHz is linked to PE's coastwise 2m repeater system.

### OTHER SERVICES

Packet Bulletin Board (ZSØNTP)	144,675
Digipeater (Grahamstown - ZSØGHT)	144,675
2m Beacon (ZS2VHF CW ID)	144,910
6m Beacon (ZS2SIX CW ID)	50,005
6m Link with Lady's Slipper 2m Repeater	51,400
Wefax Relay (Meteosat)	145,350

## Sunday Bulletins

Branch bulletins are transmitted on Sundays immediately after the Headquarters English transmission, i.e. at about 08:45, on 7098 kHz as well as the 2 metre linked network giving coastwise coverage from East London to George via repeaters on 145,750 MHz (Grahamstown), 145,700 (PE Slipper), 145,650 (Knysna) 145,700 (George) and East London's 145,725. 7098 or 3640 kHz (two-way) can also be linked as needed by remote control.

*With us you can talk so much further!*

Date	Prepare and Read on 145,750
23 Jun	ZS2RT
30	ZS2RS
7 Jul	Club Chairman
14	Vice Chairman
21	Secretary
28	Treasurer

### DIARY DATES

#### JUNE

21 Last Branch Meeting  
26 Constructors' Meeting

#### JULY

12 First Club Meeting  
19/20 VW Rally

★ We Like Being Your Branch ★